



Carmel

Ensemble pliant 7 mcx / Folding set 7pcs



13107-13108









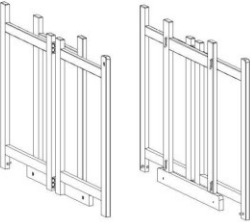


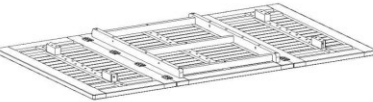
service@durahousewares.com

1-888-288-3872

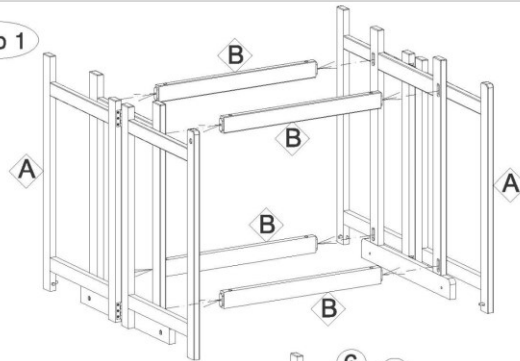
22



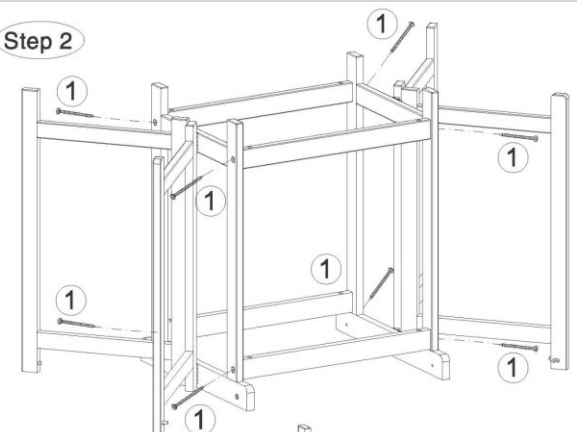
Table : 59 x 35.5'' x 29'' Chaise / Chair 17.7 x 22.5 x 35''

1		M7 x 60mm x 8
2		M8 x 13mm x 2
3		Ø9/Ø30 x 4mm x 2
4		(Ø10/12.7 x 31)mm x 2
5		Ø9/Ø35 x 3mm x 2
6		M8 x 50mm x 2
7		M6 x 35mm x 4
8		M4 x 2
Parts		
	A x2	
	B x4	
	C x2	
	D x1	

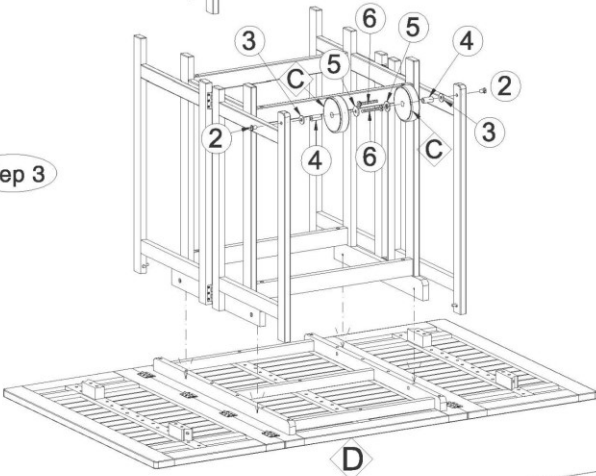
Step 1



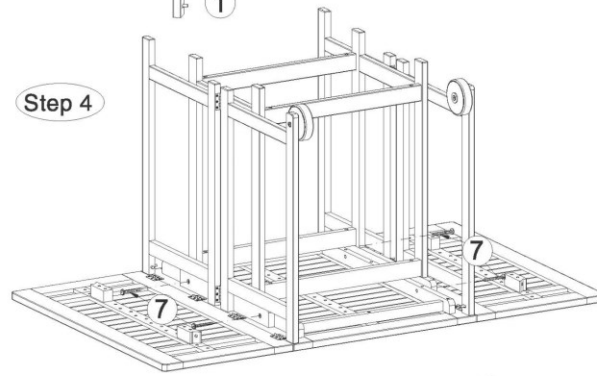
Step 2



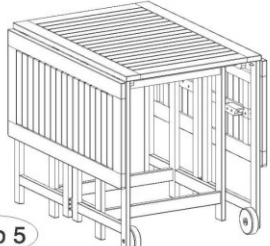
Step 3



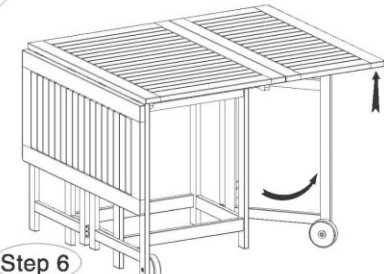
Step 4



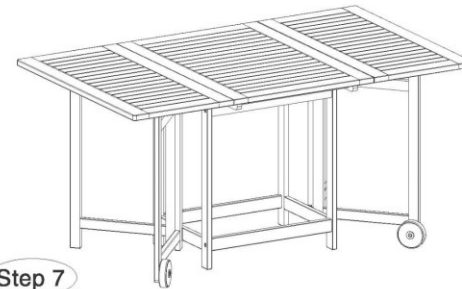
Step 5



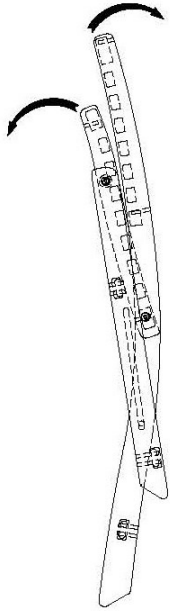
Step 6



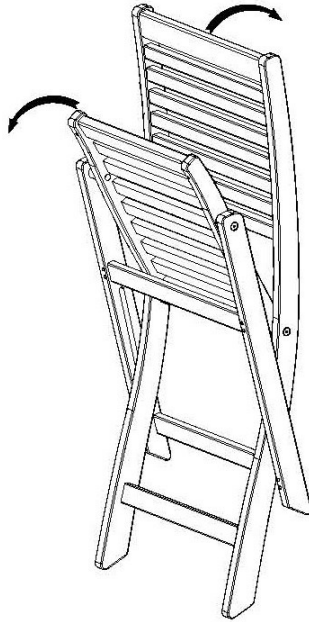
Step 7



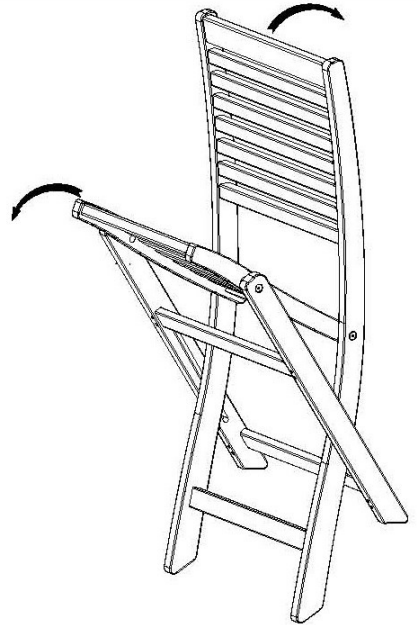
1.



2.



3.



Note:

“Maximum weight for chair : 200 lbs”
“Poid maximal pour chaise : 200 lbs”

