



# Fiji

5 ensemble de sofa / 5 pcs sofa set



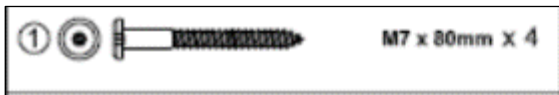
13810-13811-13812-13813  
13814-13815-13816-13817

[service@durahousewares.com](mailto:service@durahousewares.com)

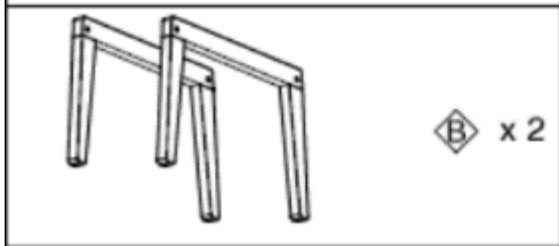
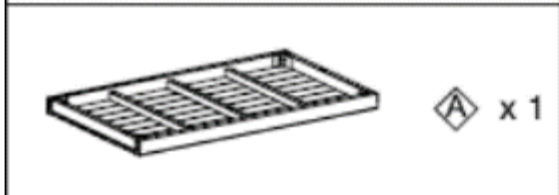
1-888-288-3872

22

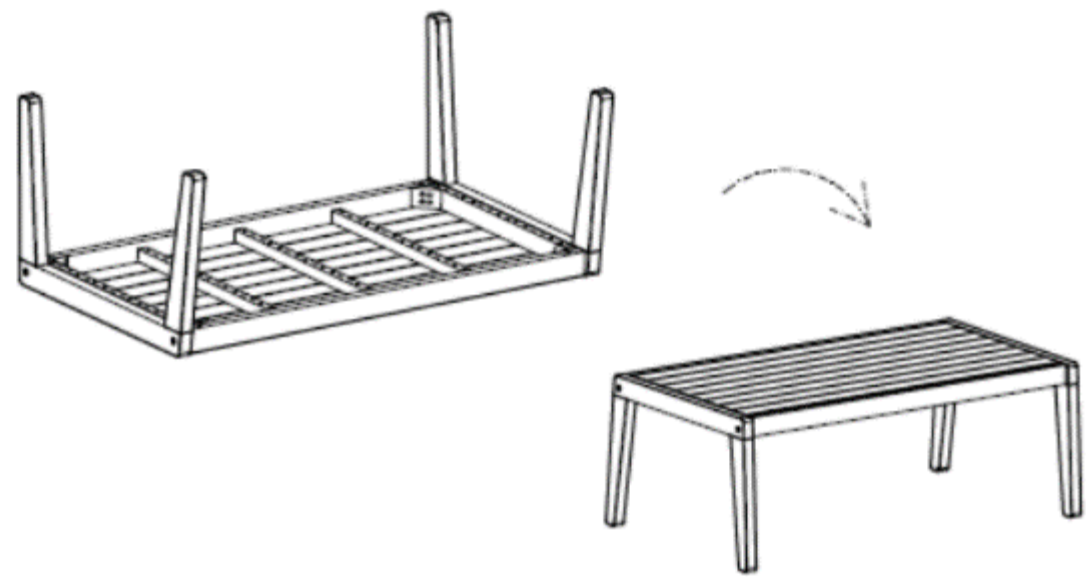
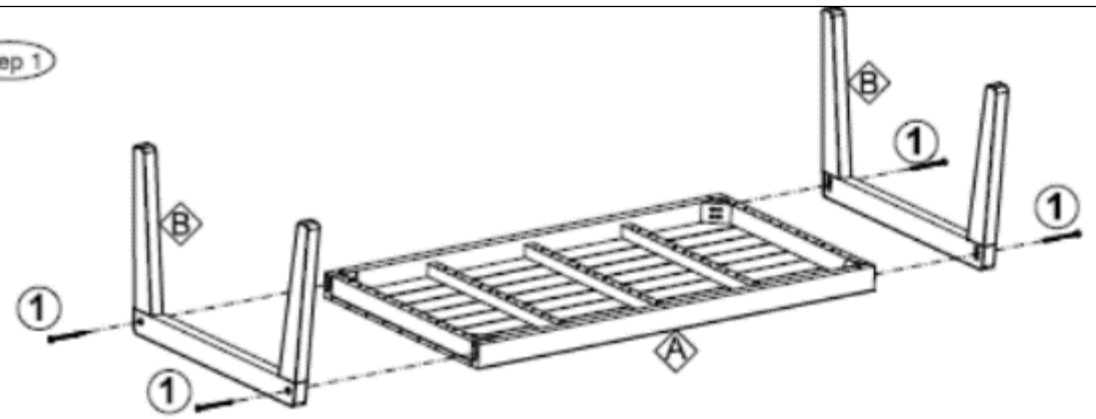
# 13810 table








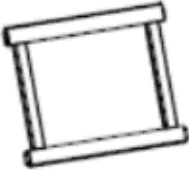


Parts/ Pièces



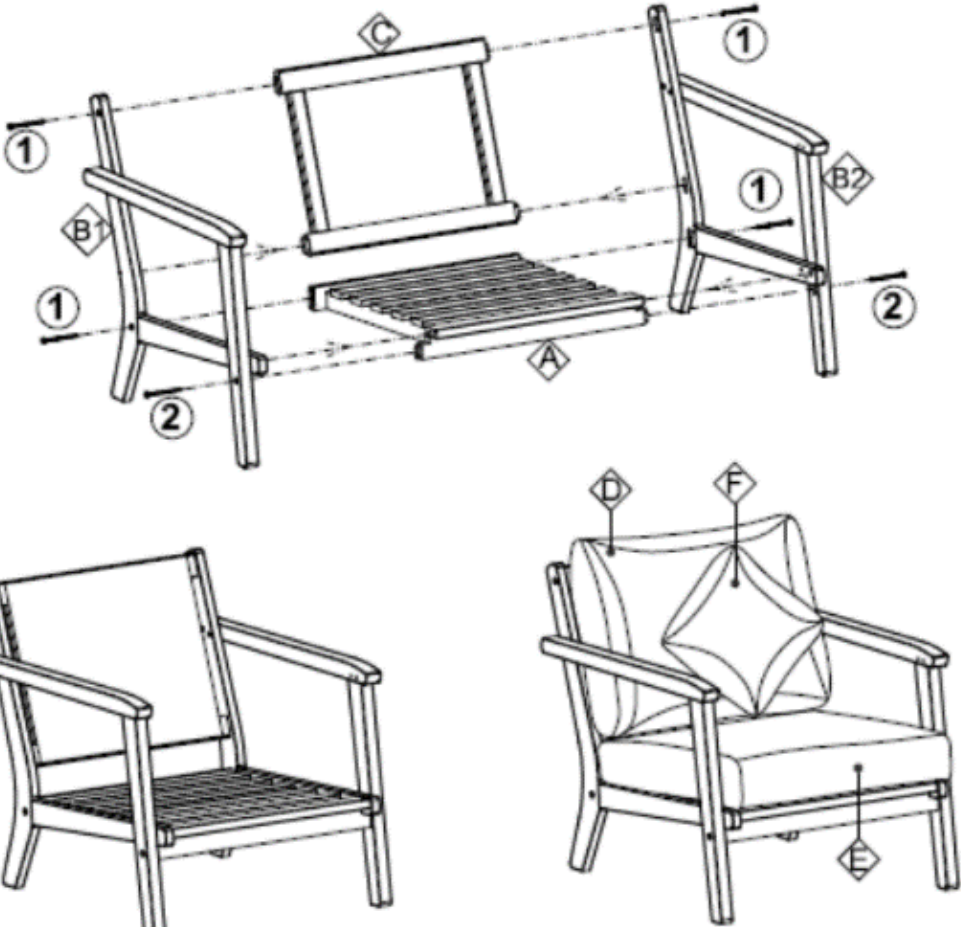
Step 1
















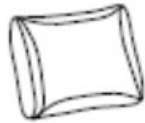



# 13811 chaise / chair

	<b>M7 x 70mm X 4</b>
	<b>M7 x 80mm X 2</b>
	<b>M4 x 2</b>
<b>Parts/ Pièces</b>	
	<b>A x 1</b>
	<b>B1 x 1</b> <b>B2 x 1</b>
	<b>C x 1</b>
	<b>D x 1</b> <b>F x 1</b>
	<b>E x 1</b>

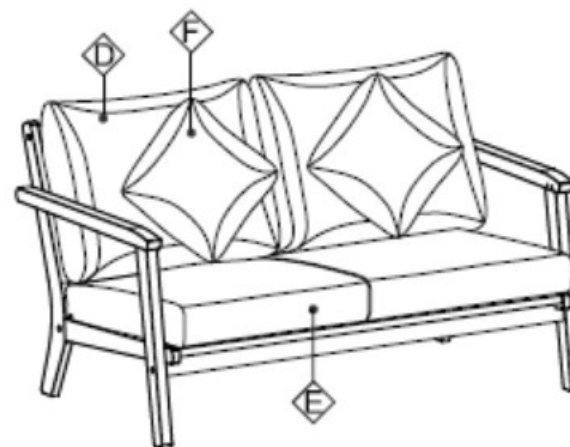
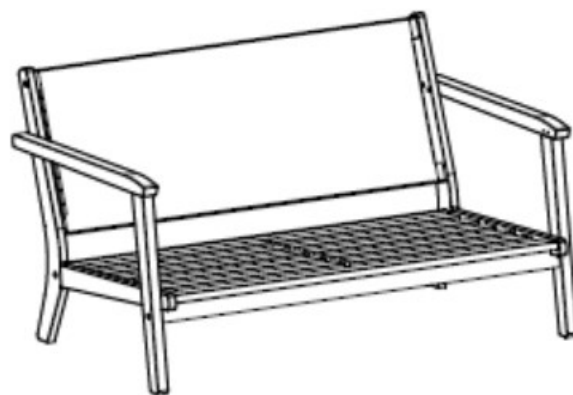
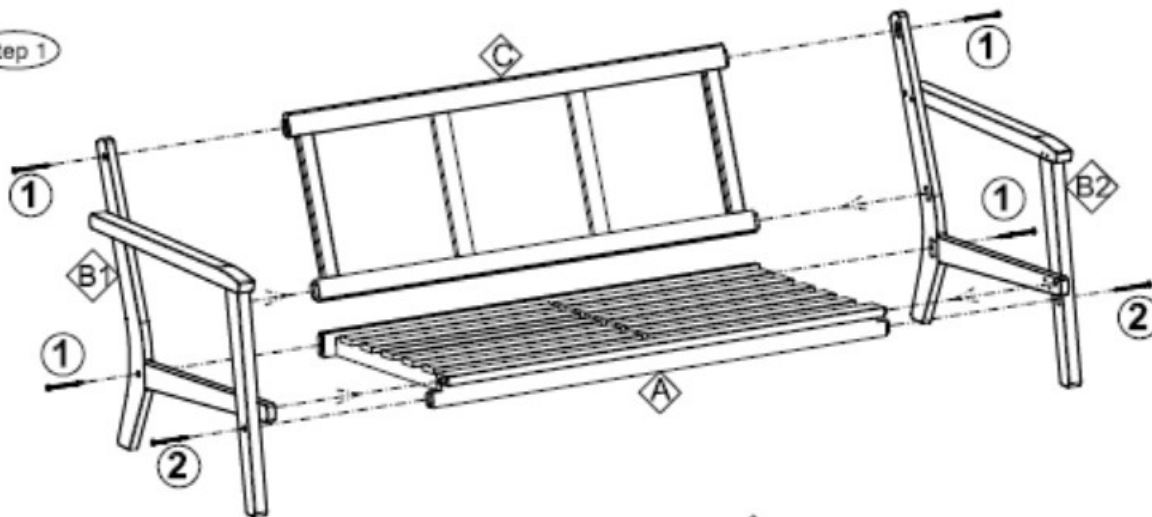
Step 1








The assembly diagram for Step 1 shows the chair frame being assembled. The seat mat (A) is placed on the seat. The backrest (C) is attached to the frame. The cushions (D, E, and F) are placed on the seat and backrest. Screws 1 and 2 are used to secure the frame. Brackets B1 and B2 are also shown.

①		M7 x 70mm x 4
②		M7 x 80mm x 2
③		M4 x 2
Parts/ Pièces		
		x 1
		x 1
		x 1
		x 1
		x 2
		x 2
		x 2

Step 1



# 13813 pouff / ottoman

	M7 x 70mm x 4
	M4 x 2
Parts/ Pièces	
	A x 2
	B x 1
	C x 1

